

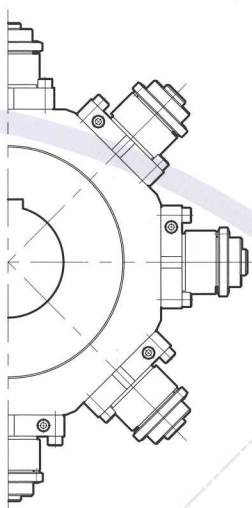
AUTOGARD SERIES 820

SPECIAL DESIGNS

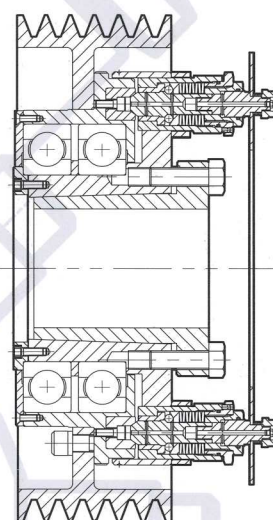
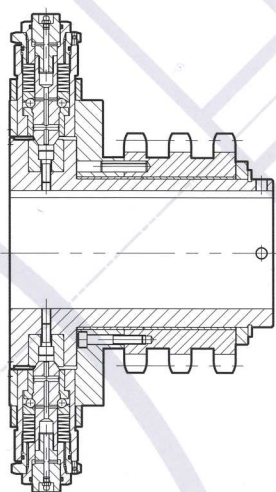
Autogard prides itself on its ability to solve difficult customer problems through the design of special Torque Limiters to meet the most difficult applications. Autogard engineers are available to meet with our customers to fully understand their specific problem and to ensure that the product being offered will effectively solve that problem.

This service is supported by an extensive research and development facility, which will allow us to simulate most applications and problems being faced. This allows us to test the product being offered in a realistic environment before it is supplied to the customer.

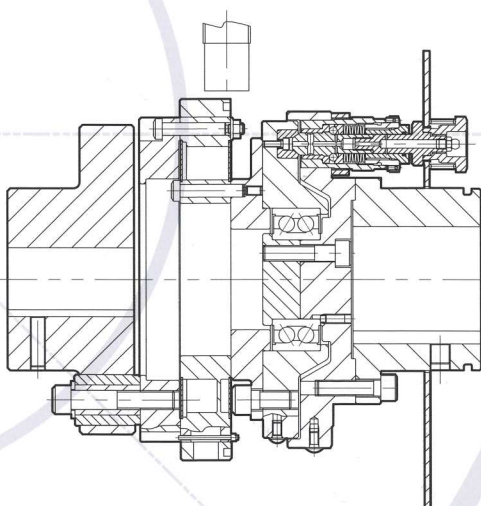
The following are several examples of designs, which have been supplied in this manner.



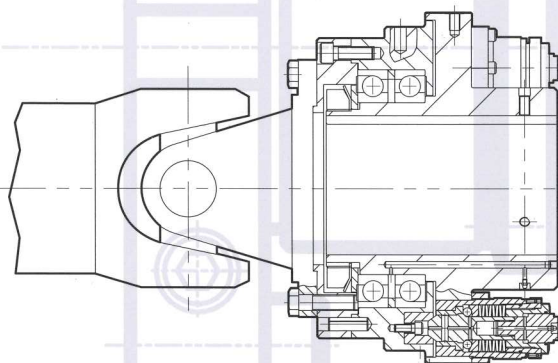
Radial Module with Triplex Sprocket
(Designed for tight axial space constraints).



Standard 820 Module designed for
V-Belt Pulley Applications.



Standard 820 Module used with Monitorq Torque
Monitoring Equipment.
(Allows for overload protection and condition monitoring)



820 Module designed to accept standard
Universal Joint Couplings