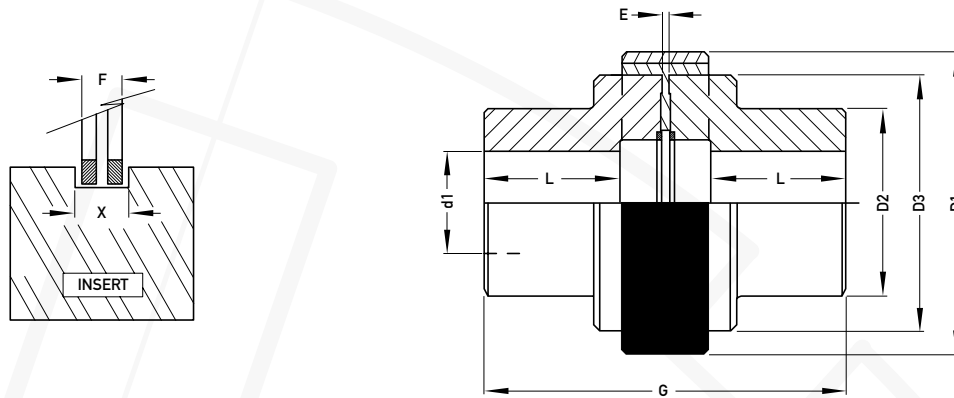
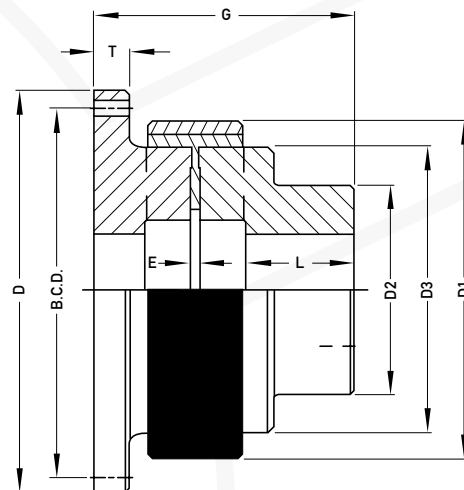


SAMIFLEX LIMITED END FLOAT COUPLING - TYPE FX



Coupling Size	Max Bore (d1)	Dimensions									Axial Float
		D1	D2	D3	D.B.S.E.	E	G	L	F	X	
A4B FX	95.2	182	135	150	54	3.5	180	63	11.5	12.5	1
A4.5 FX	82.5	202	125	170	58	3.5	198	70	11.5	12.5	1
A5B FX	114.3	225	160	190	62	3.5	216	77	14.5	16	1.5
A5.5 FX	101.6	250	155	215	66	3.5	246	90	14.5	16	1.5
A6 FX	114.3	265	180	233	70	3.5	260	95	18.5	20.5	2
A7 FX	139.7	306	205	267	78	4	310	116	18.5	20.5	2
A8 FX	150	363	242	326	88	5	382	147	21	24	3
A9 FX	180	425	280	385	96	5	420	162	21	24	3
A10 FX	210	523	330	483	106	6	482	188	22	26	4

SAMIFLEX COUPLING FOR SAE FLYWHEEL ARRANGEMENTS



Coupling Size	Max Bore	SAE J620 Number	Dimensions						
			D1	D2	D3	E	G	L	T
A2 EB-SAE	54.0	6-1/2", 7-1/2", 8"	111	80	86	2.5	100	46	12
A3B EB-SAE	69.8	7-1/2", 8", 10"	144	105	116	2.5	124	56	15
A4B EB-SAE	95.2	8", 10", 11-1/2"	182	135	150	3.5	144	63	17
A5B EB-SAE	114.3	10", 11-1/2", 14"	225	160	190	3.5	168	76	20
A6 EB-SAE	114.3	11-1/2", 14", 16"	265	180	234	3.5	196	94	22
A7 EB-SAE	139.7	14", 16", 18"	306	205	267	4	229	115	25
A8 EB-SAE	150	16", 18", 21"	363	240	326	5	280	146	30

1) For standard flywheel dimensions (D, B.C.D. and hole sizes) - Consult Autogard
 2) Flywheels are available in non-standard sizes - Consult Autogard.