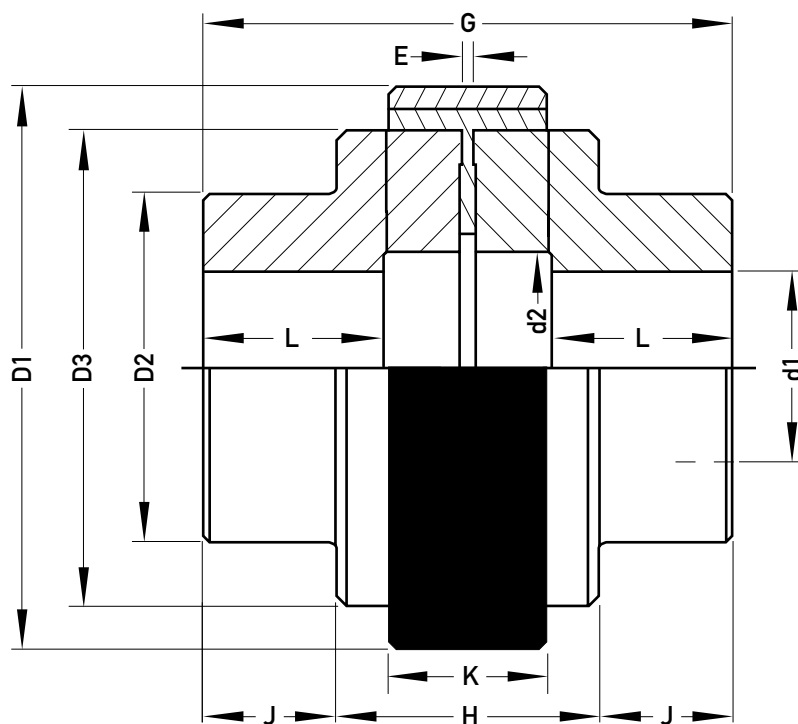


SAMIFLEX COUPLING TYPE A



Technical Details and Dimensions

Coupling Type		A00	A0	A1	A2	A3	A3B	A4	A4B	A45	A5	A5B	A55	A6	A7	A8	A9	A10	A11
Style STD Insert	Maximum KW per 1000	2.55	6.0	11	30	60	60	120	120	212	303	303	358	485	966	1815	3023	4845	5895
	Max. Cont. Torque Nm	24.2	56.9	107	286	569	569	1139	1139	2014	2876	2876	3400	4598	9168	17225	28684	45981	55945
Style HD Insert	Maximum KW per 1000	-	-	15	40	78	78	163	163	275	398	398	475	658	1170	2205	3510	5663	7920
	Max. Cont. Torque Nm	-	-	142	377	740	740	1545	1545	2605	3772	3772	4500	6242	11104	20926	33311	53739	75163
Technical data	Max. Speed - Unbal.	9100	8200	7250	5440	4200	4200	3275	3275	2800	2600	2600	2350	2200	1900	1600	1350	1100	1100
	Max. Speed - Bal.	10000	9000	8000	6500	4800	4800	3600	3600	3100	2900	2900	2600	2500	2200	1850	1600	1250	1250
	Moment of Inertia (Kg-m ²)	-	-	0.0012	0.005	0.012	0.020	0.050	0.075	0.102	0.155	0.210	0.275	0.437	0.825	2.326	4.95	12	16
	Weight (Kg)	0.2	1	1.8	3.8	6.2	8.5	12.5	16	19	26	31	36	47	75	137	218	350	410
Displacement values	Axial Tolerance	+0.3	+0.3	+0.5	+0.5	+0.7	+0.7	+0.8	+0.8	+1.0	+1.0	+1.0	+1.0	+1.0	+1.0	+1.5	+1.5	+2.0	+2.0
	Radial / Parallel	0.20	0.30	0.30	0.50	0.50	0.50	0.70	0.70	0.70	0.70	0.70	0.80	0.80	1.00	1.00	1.00	1.50	1.50
	Angular Tolerance	2	2	2	2	2	2	1.3	1.3	1.3	1.3	1.3	1.3	1.3	1	1	1	1	1

Coupling Type		A00	A0	A1	A2	A3	A3B	A4	A4B	A45	A5	A5B	A55	A6	A7	A8	A9	A10	A11
Dimensions (mm)	Max. Bore d1	22.2	34.9	41.3	53.97	54.0	69.8	70.0	95.2	82.5	85.0	114.3	101.6	114.3	139.7	150	180	210	210
	Pilot Bore	4	8	14	17	19	19	24	24	25	29	29	30	39	48	63	73	96	96
	D1	44	65	83	111	144	144	182	182	202	225	225	250	265	306	363	425	523	503
	D2	35	52	65	80	85	105	110	140	125	140	160	155	180	205	242	280	330	350
	D3	35	52	65	86	116	116	150	150	170	190	190	215	233	267	326	385	483	458
	d2	22	32	39	45	52	52	70	70	90	89	89	115	112	135	157	188	218	216
	G	51	73	91	127	156	156	180	180	198	216	216	246	260	310	382	420	482	512
	L	19	28	34	47	56	56	63	63	70	77	77	90	95	116	147	162	188	190
	Standard "DBSE"	13	17	23	33	44	44	54	54	58	62	62	66	70	78	88	95	106	132
	Dist. Between Hubs "E"	1.5	1.5	1.5	2.5	2.5	2.5	3.5	3.5	3.5	3.5	3.5	3.5	3.5	4	5	5	6	6
	H	-	-	-	55	6.5	65	85	85	93	101	101	109	119	134	154	162	192	216
	J	-	-	-	36	45	45	47	47	52	57	57	68	70	88	114	129	145	148
	K	12	16	22	32	42	42	51	51	56	59	59	64	67	75	85	92	102	128

- 1) STD inserts will be supplied as standard unless specified. High Torque (HD) Inserts can be supplied upon request.
- 2) Maximum speeds are based on Cast Iron Hubs. Higher speeds may be attained using Ductile Iron or Steel Hubs - Consult Autogard
- 3) Distance Between Shaft ends (DBSE) is based on the shafts mating flush with the end of the hub face.
Short or longer shaft separations may be obtained by overhanging the shaft or hub.
- 4) Weights and Inertias are based on solid hubs.