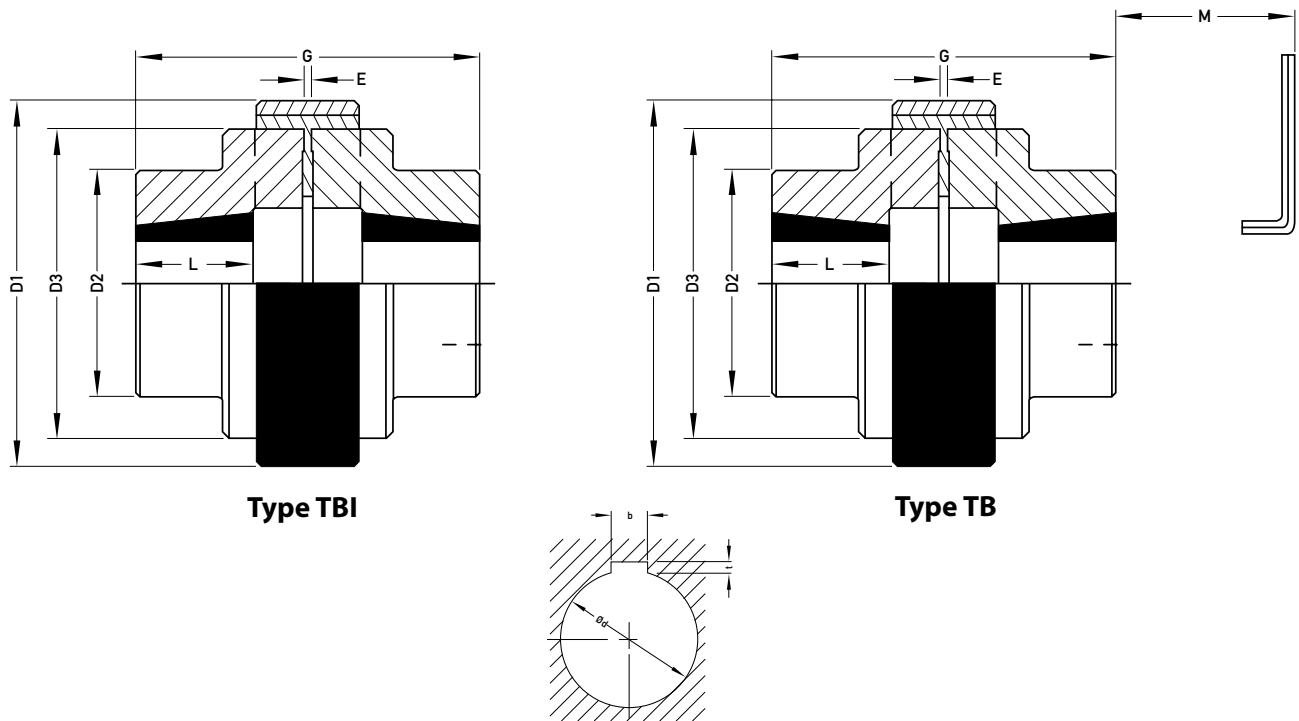


# SAMIFLEX COUPLING FOR TAPER BUSH



## Samiflex Coupling Bored to Suit Taper Lock Bushings

Coupling Size	Taper Bush	Bore Range		Dimensions						
		min.	max.	L	G	E	D1	D2	D3	M
A1 -TB/TBI	1108	9	28	27	77	1.5	83	65	65	29
A2 -TB/TBI	1210	11	32	32	97	2.5	111	80	86	38
A3 -TB/TBI	1610	14	42	32	107	2.5	144	85	116	38
A4 -TB/TBI	2012	14	50	38	130	3.5	182	110	150	42
A45 -TB/TBI	2517	16	60	50	158	3.5	202	125	170	50
A5B -TB/TBI	3020	25	75	56	173	3.5	225	160	190	55
A6 -TB	3535	35	90	95	259	3.5	265	180	233	67
A7 -TB	4545	55	110	120	318	4	306	205	267	70

Dimensions - Taper Bushes																																			
d	9	10	11	12	14	16	18	19	20	22	24	25	28	30	32	35	38	40	42	45	48	50	55	60	65	70	75	80	85	90	95	100	105	110	
b	3	3	4	4	5	5	6	6	6	6	8	8	8	8	10	10	10	12	12	14	14	14	16	18	18	20	20	22	22	25	25	28	28	28	
t	1.4	1.4	1.8	1.8	2.3	2.3	2.8	2.8	2.8	2.8	3.3	3.3	3.3	3.3	3.3	3.3	3.3	3.3	3.3	3.8	3.8	3.8	4.3	4.4	4.4	4.9	4.9	5.4	5.4	5.4	5.4	6.4	6.4	6.4	
1108	*	*	*	*	*	*	*	*	*	*	*	*	*	*	*	*	*	*	*	*	*	*	*	*	*	*	*	*	*	*	*	*	*	*	*
1210			*	*	*	*	*	*	*	*	*	*	*	*	*	*	*	*	*	*	*	*	*	*	*	*	*	*	*	*	*	*	*	*	*
1610					*	*	*	*	*	*	*	*	*	*	*	*	*	*	*	*	*	*	*	*	*	*	*	*	*	*	*	*	*	*	*
2012					*	*	*	*	*	*	*	*	*	*	*	*	*	*	*	*	*	*	*	*	*	*	*	*	*	*	*	*	*	*	*
2517						*	*	*	*	*	*	*	*	*	*	*	*	*	*	*	*	*	*	*	*	*	*	*	*	*	*	*	*	*	*
3020												*	*	*	*	*	*	*	*	*	*	*	*	*	*	*	*	*	*	*	*	*	*	*	*
3535													*	*	*	*	*	*	*	*	*	*	*	*	*	*	*	*	*	*	*	*	*	*	*
4545																								*	*	*	*	*	*	*	*	*	*	*	*

1) Refer to bush manufacturers for recommended torque capacity of each bush.